



ITALIAN QUALITY AND FLEXIBILITY

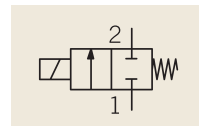
E.V. 15 mm 2/2 PRP

Cost - optimized compact valve for flow controls
ideal for close loop control systems

Ottimizzata nei costi per il controllo dei flussi
Ideale per i circuiti di controllo ad anello chiuso

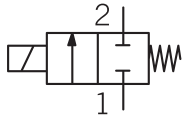


2/2 PRP

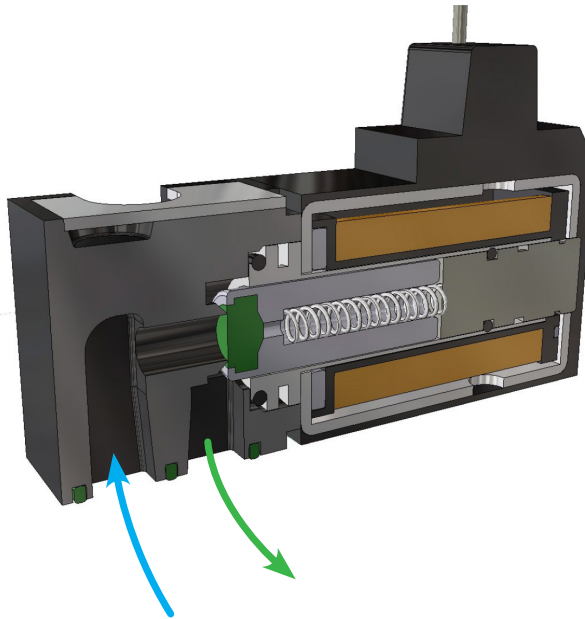


Proportional solenoid valve in which the movement of the plunger is controlled by an electric signal applied to the solenoid that generates a magnetic field. By varying the applied current, the force of attraction also changes proportionally. The flow of liquid or gas is controlled by the movement (stroke) of the plunger, depending on the relationship between the force of attraction and the spring force.

Elettrovalvola proporzionale nella quale il movimento del nucleo è comandato da un segnale elettrico applicato al solenoide che genera un campo magnetico. Al variare della corrente applicata, la forza di attrazione cambia anch'essa in proporzione. La portata di liquidi o gas è controllata dal movimento (corsa) del nucleo, a seconda del rapporto fra la forza di attrazione ed il carico della molla.



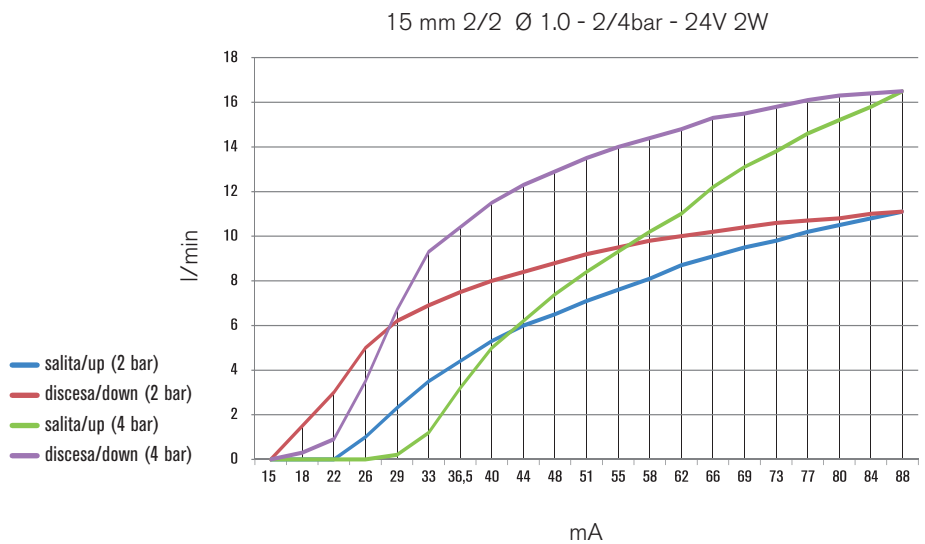
2/2 PRP



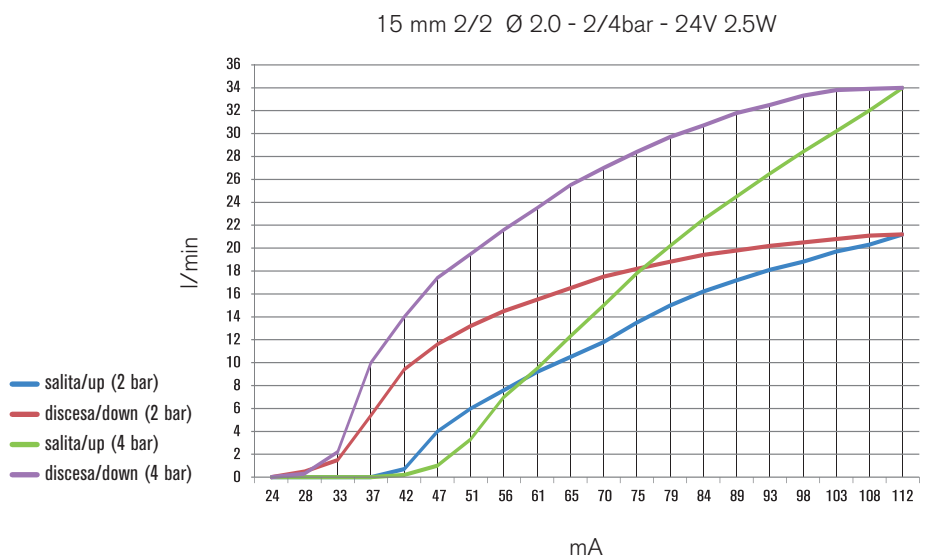
TECHNICAL SPECIFICATIONS

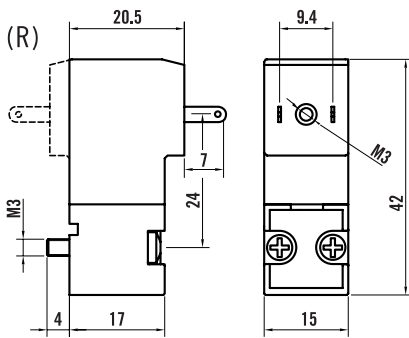
15 mm 2/2 PRP

	Ø 1.0 mm	
Nominal orifice size [Ø/min]	1.0	
Working pressure [bar]	0 - 2 bar	0 - 4 bar
Max flow rate fully open [l/min]	11 @ 2bar	16 @ 4bar
Power at nominal voltage [Watt]	2 W	2 W
Voltages DC [Volt]	6 - 12 - 24 V DC	
Electrical insulation	1000 V AC	
Coil insulation class	H (180° C)	
Coil resistance tolerance	+/-5%	
Fluid/ambient temperature	-10° / +50° C	
Duty cycle	100% ED	
Fixing	2 screws M3	
Weight	35 gr	
Protection degree (IEC 60529)	IP65 (cables or faston) IP51 (90° or Line connector)	

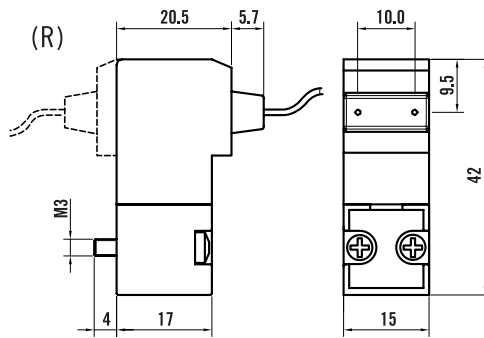


	Ø 2.0 mm	
Nominal orifice size [Ø/min]	2.0	
Working pressure [bar]	0 - 2 bar	0 - 4 bar
Max flow rate fully open [l/min]	21 @ 2bar	34 @ 4bar
Power at nominal voltage [Watt]	2.5 W	2.5 W
Voltages DC [Volt]	6 - 12 - 24 V DC	
Electrical insulation	1000 V AC	
Coil insulation class	H (180° C)	
Coil resistance tolerance	+/-5%	
Fluid/ambient temperature	-10° / +50° C	
Duty cycle	100% ED	
Fixing	2 screws M3	
Weight	35 gr	
Protection degree (IEC 60529)	IP65 (cables or faston) IP51 (90° or Line connector)	

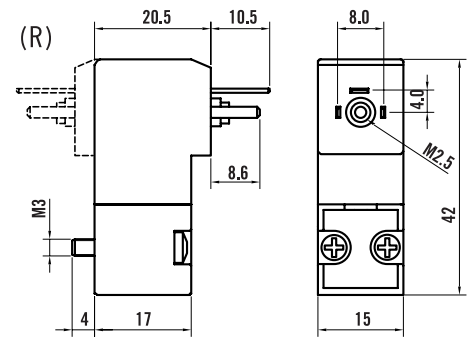




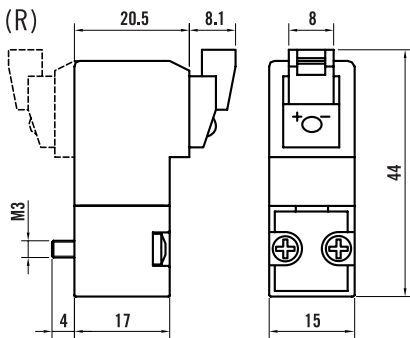
FASTON STD
FASTON STD



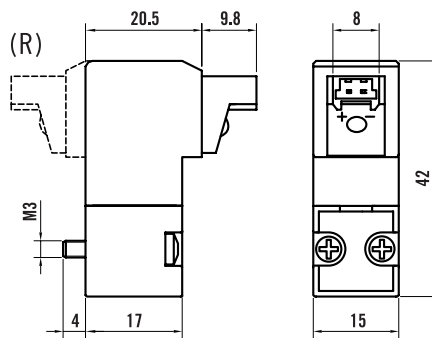
ENCAPSULATED CABLES
CAVI INGLOBATI



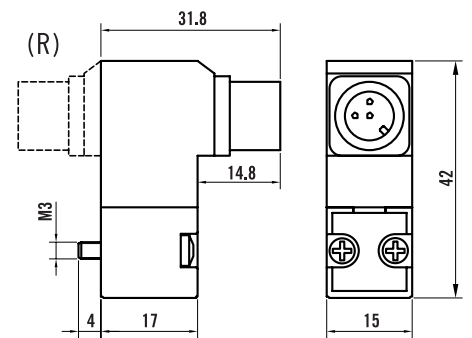
DIN FASTON 43650-C
FASTON DIN 43650-C



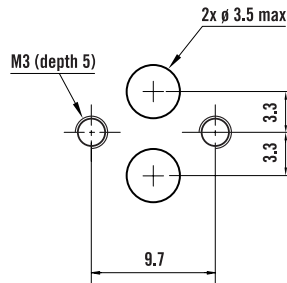
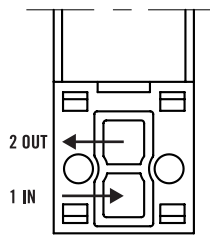
LINE CONNECTOR
CONNETTORE LINEA



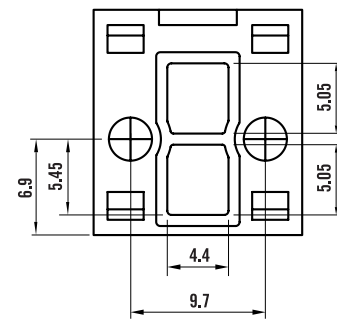
90° CONNECTOR
CONNETTORE 90°



M12 CIRCULAR CONNECTOR
CONNETTORE CIRCOLARE M12



SUGGESTED SUBBASE



PNEUMATIC INTERFACE

P	R	5	VOLTAGE	/	(R)	ELECTRICAL CONNECTION	ORIFICE SIZE	PRESSURE
			1 = 24 Vdc 2 = 12 Vdc 4 = 6 Vdc					
					R = Rotated coil 180°	0 = Faston standard (9.4 mm) 1 = Faston DIN form-C (8 mm) 2 = Cables 300 mm 3 = M12 circular connector 6 = 90° Connector 7 = Line Connector	A = Ø 1.0 mm B = Ø 2.0 mm	2 = 2 bar 4 = 4 bar

Example: **PR52/2B2** = 15 mm 2/2 PROPORTIONAL 12 Vdc 2.5 W Cables 300 mm Ø 2.0 mm 2 bar

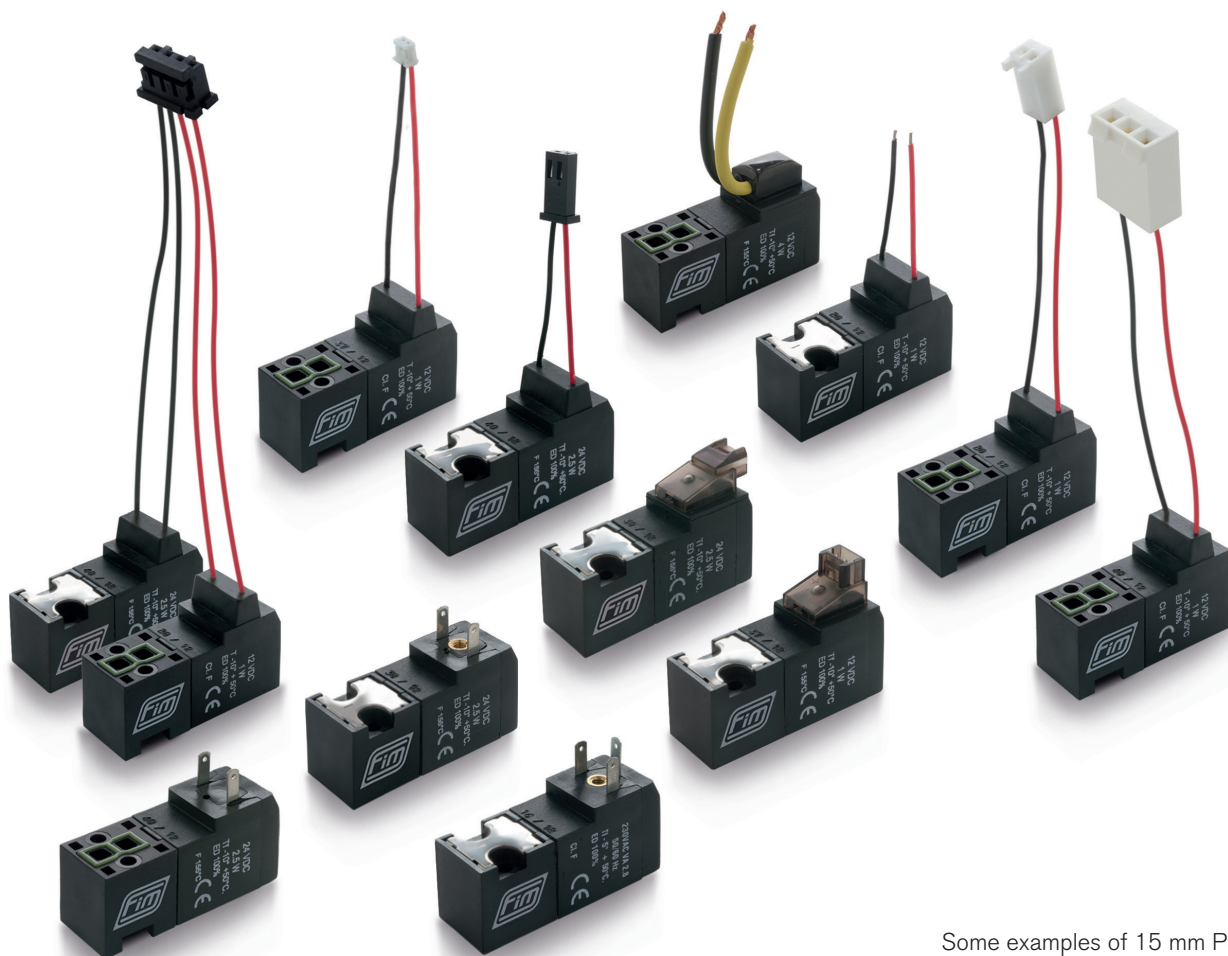


Customizations available on request

- Voltages (Volt)
- Powers (Watt)
- Electrical connectors (Molex, Tyco, Hirose, Jst)
- IP Protection (Potting compound for applications IP 67)
- Pressures (bar)

Personalizzazioni disponibili su richiesta

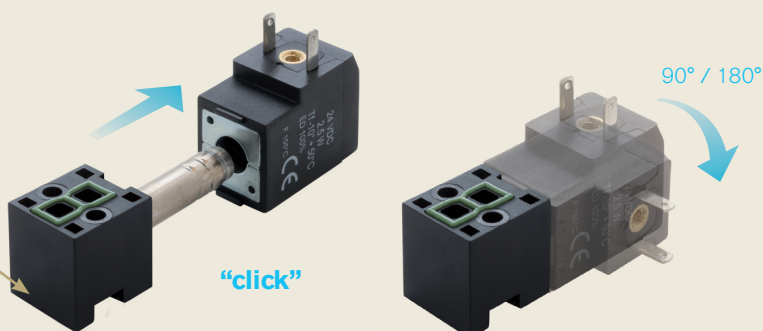
- Tensioni (Volt)
- Potenze (Watt)
- Connettori elettrici (Molex, Tyco, Hirose, Jst)
- Protezione IP (Resinatura per applicazioni IP 67)
- Pressioni (bar)



Some examples of 15 mm Proportional
Alcuni esempi di valvole 15 mm Proporzionali

traceability code
codice di rintracciabilità

WW Y XXXXX
week valve body ref.
year
...
A = 2013
B = 2014
C = 2015
D = 2016
E = 2017
F = 2018
...



Coil can be rotated in any position with a "click" system
Bobina orientabile in ogni posizione con sistema a "click"

MODULAR
SYSTEM
PATENTED IN 1996

SISTEMA
COSTRUTTIVO
MODULARE
BREVETTATO DAL 1996



ITALIAN QUALITY AND FLEXIBILITY